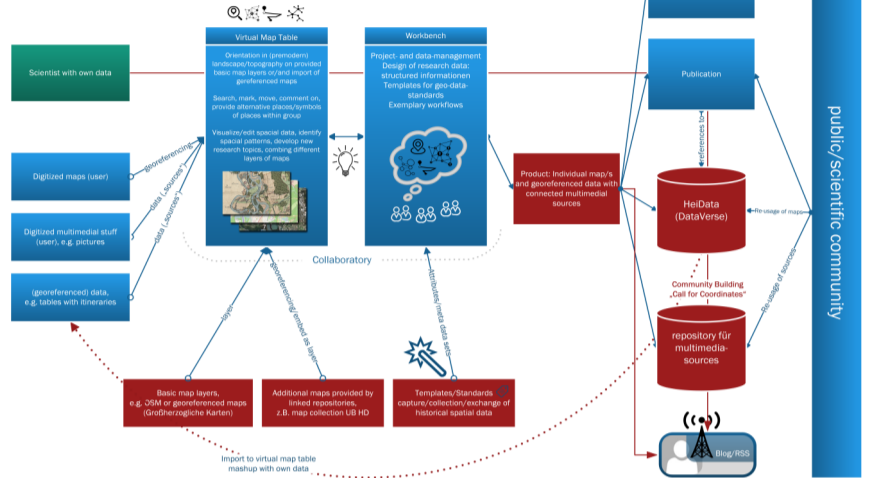


heiMAP

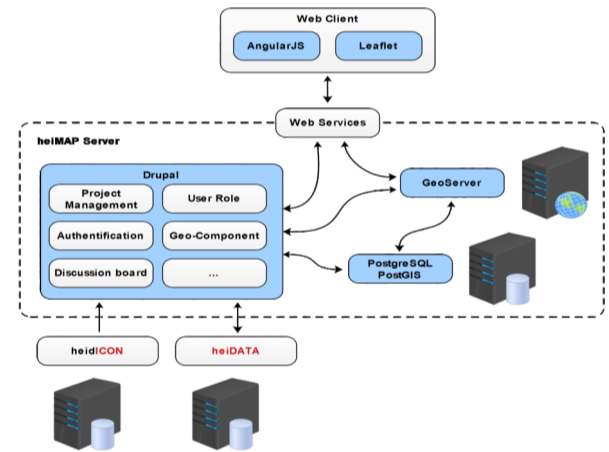
#Research Goals heiMAP is a virtual environment for collaborative spatio-temporal research in the Humanities. The differentiating characteristic of heiMAP is the ability to represent the entire scientific data lifecycle. This includes the generation of, as well as discourse about, spatio-temporal data, their publication, archiving and reuse.

To allow a broad range of users from different parts of the Humanities (including both University and Citizen Science projects), and with varying degrees of expertise in spatial research and GIS, to effectively use heiMAP, the platform will focus on a few core functions while allowing export of research data into more sophisticated desktop-based GIS programs when necessary. Extensive tutorials and documentation will further support users.

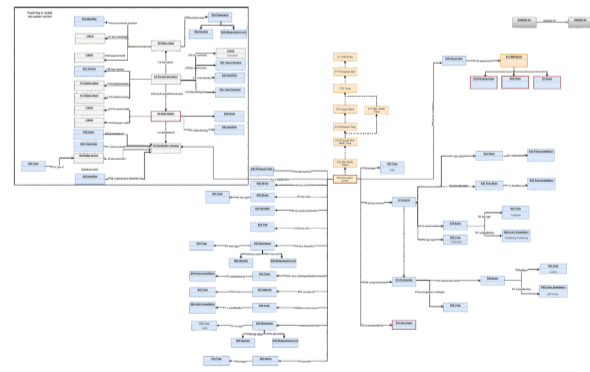
Workflow heiMAP Scientist with own project and (geo-) data



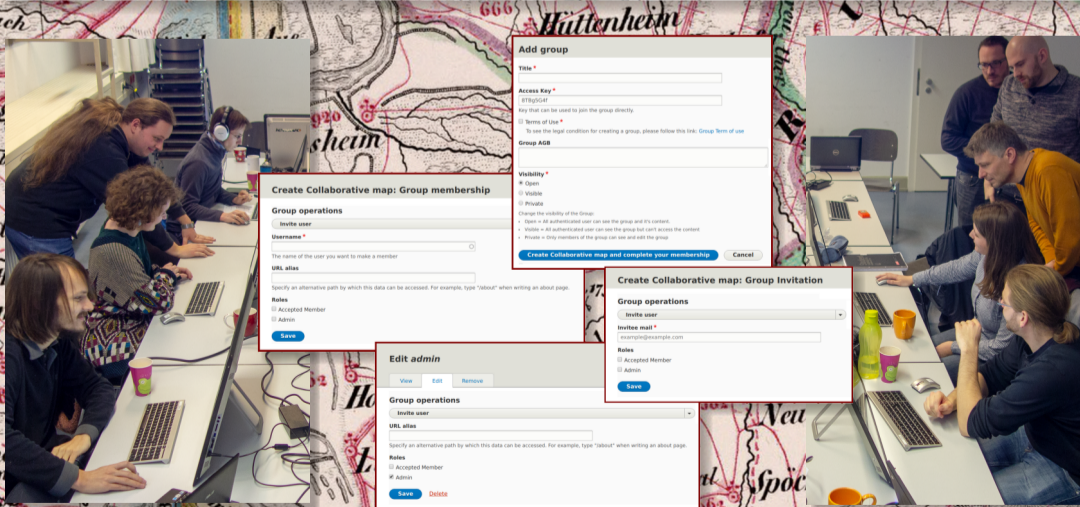
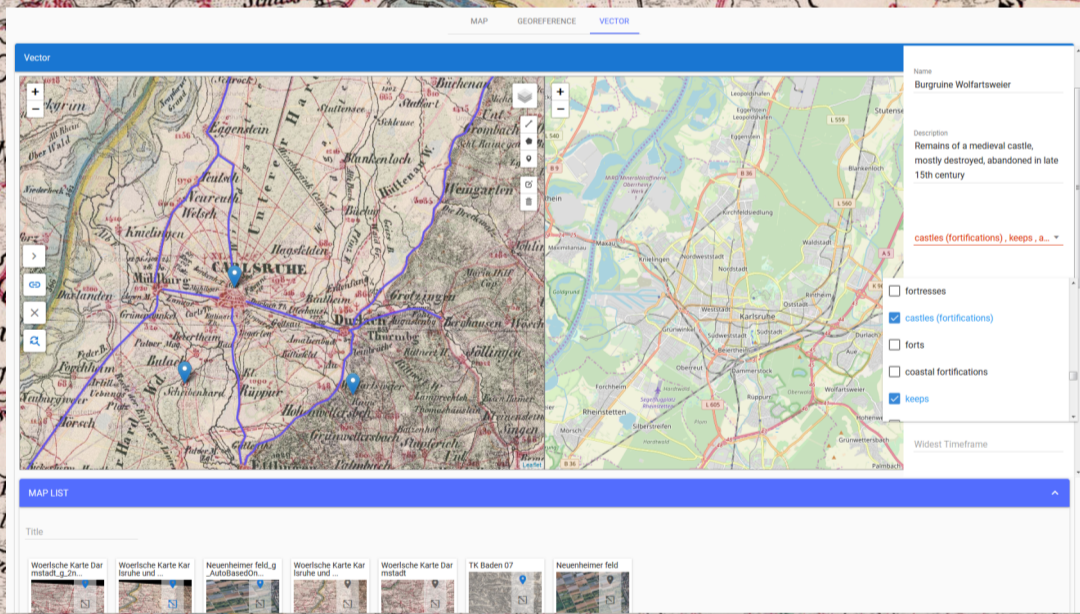
#Challenges Interdisciplinary collaboration – making librarians, historians, archaeologists, programmers, and GIScientists understand each other | Copyright of source material vs. sharing of research data | Heterogeneous and imperfect spatio-temporal data sets | Heterogeneous user groups and different levels of technical expertise



#Application Commitment to Open Source | International standards (OGC, CIDOC CRM) | Content management system allowing fine-grained control of access to potentially sensitive research data and sources | WebGIS with basic functions tailored to target user group | Integration into existing infrastructure



#Features Open access collection of historical maps and geodata | User authentication, project infrastructure and content management | Basic webGIS with georeferencing and vector creation functionalities | Discussion board | Version Tracking | Standardized meta data | Infrastructure for publication of results with DOI | Extensive documentation and tutorials



Universitätsrechenzentrum Heidelberg - project coordination: Prof. Dr. Vincent Heuveline, Dr. Martin Baumann, Benjamin Scherbaum | GIScience/heiGIT, Geographisches Institut: Prof. Dr. Alexander Zipf, Lukas Loos, Mohammed Rizwan Khan, Dr. Mohammed Zia, Christian Kempf, Amon Veiga Santana | Universitätsbibliothek Heidelberg: Leonhard Maylein | Exzellenzcluster „Asia & Europe in a Global Context“, JRG „Digital Humanities and Digital Cultural Heritage“: Dr. Armin Volkmann, Michelle Pfeiffer | Institut für Fränkisch-Pfälzische Geschichte und Landeskunde/Historisches Seminar: Prof. Dr. Jörg Peltzer, Dirk Eller, Dr. Kilian Schultes

Förderprogramm E-Science
Virtuelle Forschungsumgebungen
2016-2018



UNIVERSITÄTS-RECHENZENTRUM URZ
UNIVERSITÄTS-BIBLIOTHEK HEIDELBERG
INSTITUT FÜR FRÄNKISCH-PFÄLZISCHE GESCHICHTE UND LANDESKUNDE